

**FIT-UP PRO**

By Mathey Dearman

# FLANGE ALIGNMENT BOLTS (FAB BOLTS)



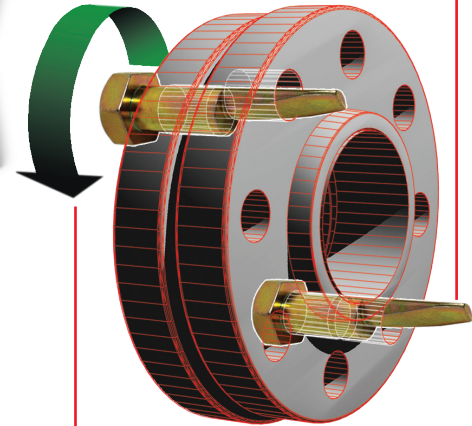
Safe, fast, and effective solution for even the toughest flange alignment jobs. The tool's tapered shaft eliminates hammering and prying when lining up flange bolt holes.

**Safer:** Eliminates the need for wedges or hammers.

**Protects:** Greatly reduces risk of damage to the flange.



**Step 1:** Place first bolt into pair of aligned holes



**Step 2:** Place second bolt into mis-aligned holes and turn bolt to align both flange faces

PART NO	DESCRIPTION
FAB.138	1 3/4" Flange Alignment Bolts (FAB) (pair)
FAB.114	1 1/4" Flange Alignment Bolts (FAB) (pair)
FAB.118	1 1/8" Flange Alignment Bolts (FAB) (pair)
FAB.100	1" Flange Alignment Bolts (FAB) (pair)
FAB.078	7/8" Flange Alignment Bolts (FAB) (pair)
FAB.034	3/4" Flange Alignment Bolts (FAB) (pair)
FAB.BOX	Tool box only
FAB.KIT	FAB kit containing 1 set of: 3/4", 7/8", 1", 1 1/8", 1 1/4" and 1 3/8"



[www.FIT-UP-PRO.com](http://www.FIT-UP-PRO.com)